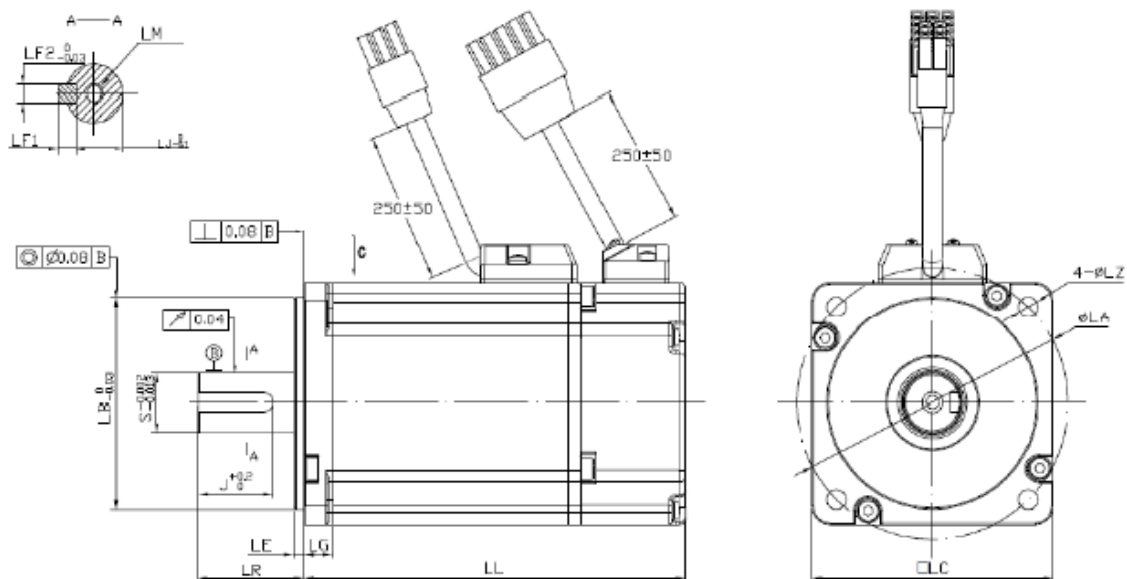


60/80 Series

Servo Motor series	60 series		80 Series	
Servo Motor model	60DNMA2-0D20D	60DNMA2-0D40D	80DNMA1-0D75D	80DNMA1-0001D
Input voltage	220VAC			
Inertia	Medium	Medium	Medium	Medium
Rated power (W)	200	400	750	1000
Rated torque (N*m)	0.64	1.27	2.39	3.18
Rated current (A)	1.4	2.5	4.1	5.5
Maximum current (A)	4.2	7.5	12.5	15.1
Rated speed (rpm)	3000	3000	3000	3000
Maximum speed (rpm)	5000	5000	5000	5000
Torque constant (N*m/Amp)	0.45	0.508	0.58	0.43
Back EMF constant (V/Krpm)	29	33	40	40
Rotary inertia (with brake) (10-4Kg*m2)	0.14 (0.16)	0.67 (0.68)	0.88 (0.92)	1.12 (1.15)
Resistance (line-line) (Ω)	8.4	4.28	1.5	1.21
Inductance (line-line) (mH)	26.5	15.4	7.9	6.2
Mass (with brake) (kg)	1.03 (1.53)	1.59 (2.05)	2.66 (3.76)	3.12 (4.22)
LL (with brake) (mm)	105(140)	140(175)	129.7(168.9)	144.7(183.9)
LR (mm)	30	30	35	35
LE (mm)	3	3	3	3
LG (mm)	8	8	8	8
S (mm)	14	14	19	19
LJ1 (mm)	0	0	0	0
LJ (mm)	11	11	15.5	15.5
J (mm)	20	20	25	25
LF1 (mm)	5	5	6	6
LF2 (mm)	5	5	6	6
LM (mm)	M4 deep 15	M4 deep 15	M5 deep 20	M5 deep 20
LA (mm)	70	70	90	90
LB (mm)	50	50	70	70
LC (mm)	60	60	80	80
LZ (mm)	5.5	5.5	6.5	6.5



130 Series (220V class)

Servo Motor series	130 Series			
Servo Motor model	130DNMA2-0001C	130DNMA2-01D5C	130DNMA2-0002C	130DNMA2-0003C
Input voltage	220VAC			
Rated power (KW)	1	1.5	2.2	3
Rated torque (N*m)	4.77	7.16	9.55	14.33
Rated current (A)	5	8.4	10.3	13.5
Maximum current (A)	15	25.2	30.1	40.5
Rated speed (rpm)	2000	2000	2000	2000
Maximum speed (rpm)	3000	3000	3000	3000
Torque constant (N*m/Amp)	0.95N.m/Arms	0.85N.m/Arms	0.93N.m/Arms	1.07N.m/Arms
Back EMF constant (V/Krpm)	66V/Krpm	59.8V/Krpm	72.6V/Krpm	76V/Krpm
Rotary inertia (w/brake) (10 ⁻⁴ Kg*m ²)	7.1 (7.5)	10.6 (11.1)	13.8 (14.3)	20.4 (20.9)
Resistance (line-line) (Ω)	1.08	0.543	0.52	0.32
Inductance (line-line) (mH)	12.8	6.3	6.8	4.7
Mass (with brake) (kg)	6.5 (8.8)	8 (10.5)	9.6 (11.9)	12.6 (14.9)
LL (with brake) (mm)	154 (198)	173 (217)	192 (236)	230 (274)
LR (mm)	58	58	58	58
LE (mm)	6	6	6	6
LG (mm)	12	12	12	12
S (mm)	22	22	22	22
LJ1 (mm)	0	0	0	0
LJ (mm)	18	18	18	18
J (mm)	36	36	36	36
LF1 (mm)	7	7	7	7
LF2 (mm)	8	8	8	8
LM (mm)	M6 deep 15	M6 deep 15	M6 deep 15	M6 deep 15
LA (mm)	145	145	145	145
LB (mm)	110	110	110	110
LC (mm)	130	130	130	130
LZ (mm)	9.5	9.5	9.5	9.5

